

6.0mm/6.8mm Square Tact Switch (Vertical, TH Type)



TSG-93/94T-XXX


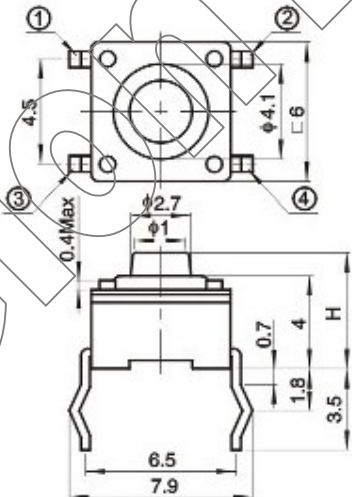
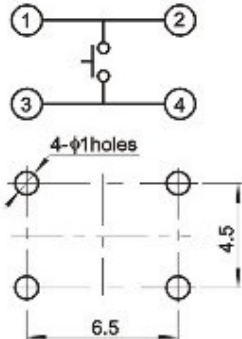
TS - Tact Switch
 G - G Serious
 93 / 94 – Type
 T - TH Type
 XXX - Action Force (gram)
 H - With Post (Optional)

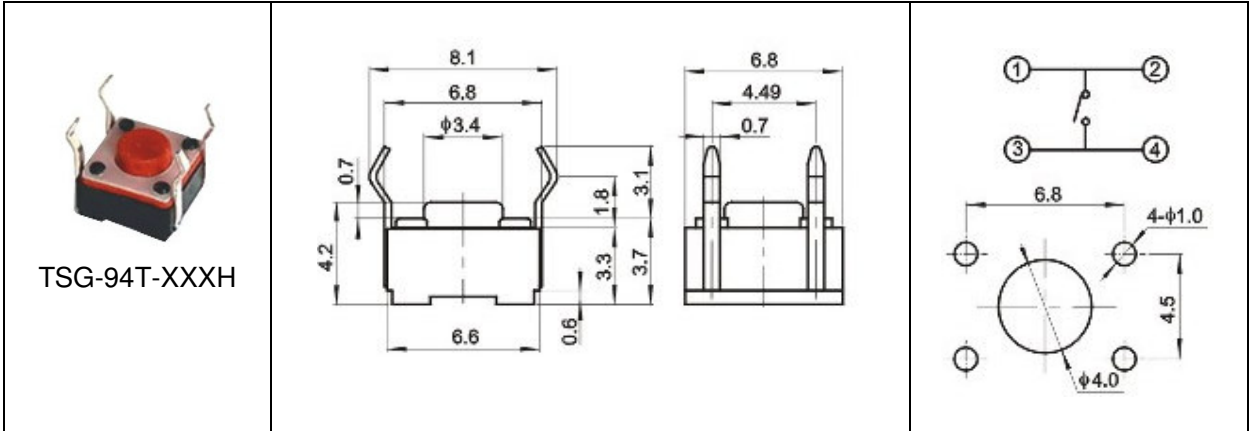
SPECIFICATIONS

Mechanical Life:	100,000 cycles
Operating Force:	180g±50g, 250g±50g
Travel:	0.3±0.1mm
Rating:	50mA 12V DC
Dielectric withstanding:	250V AC/minute
Insulator resistance:	≥ 100 MΩ at 100V
Contact resistance:	≤ 100 mΩ/Contact
Operating temperature:	-40°C ~ +90°C
Storage temperature:	-40°C ~ +105°C

Material

Base:	PA66/PA6T, UL94V-0
Contact material:	Phosphor Bronze
Contact Spring Plating:	Stainless Steel/Silver Plating

Physical Picture	Outline Drawing	Circuit
 <p>TSG-93S-XXX</p>		



GionTech